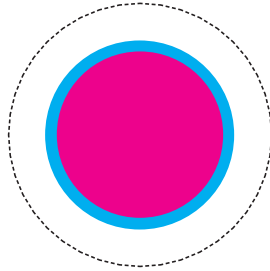


Stereohype

graphic art and fashion boutique
www.stereohype.com



5th annual Stereohype Button Badge Design Competition (2008/09)

Deadline: Monday, 16th February, 2009

NO ENTRY FEE!

Following the huge success of our first four design competitions we are now pleased to announce the fifth annual 1" (25mm) Stereohype Button Badge Design Competition. We look forward to receiving your submissions.

Please send us by email one to (A MAXIMUM OF) three different badge designs per participant. Please refer to the file specifications and psd templates on page 4.

Eligible are entries by professional designers, artists, photographers and illustrators or by students in any of these areas. Not eligible are former competition winners and B.I.O. (by invitation only) button badge series contributors who are now more than welcome to join the judging panel.

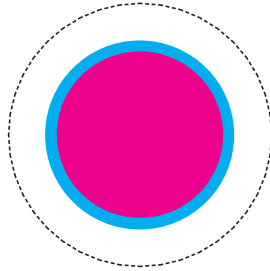
Your artwork(s) will have to be created by yourself and should obviously not infringe any copyrights! Winners will give stereohype.com automatically a NON-exclusive licence to reproduce the winning artwork(s) on badges and Stereohype-badge-related promotional materials such as postcards, etc. By submitting your artwork(s) you agree on these terms and conditions. A shortlist will also be featured at stereohype.com crediting the artists and designers. We will give winning artworks away as a free surprise badge with purchased Stereohype T-shirts or sell them separately. Your badge design(s) might also be reprinted for promotional purposes featuring photos of your badge. Designers, artists and illustrators will – wherever possible – be appropriately credited. We would like to have one to (A MAXIMUM OF) three artworks per person. Please bear in mind though, that we are aiming to give them away one at a time (although sets of 3 will be made available in a special packaging).

We can't wait to see your design(s)!

GOOD LUCK!

Stereohype

graphic art and fashion boutique
www.stereohype.com



Judging panel:

A selection of international graphic designers including former competition winners.

Confirmed judges: (Please check our website for updates)

Agathe Jacquillat, FL@33, flat33.com

Elisabeth Lecourt, elisabethlecourt.com

Richard Kirk, onepom, onepom.com

Tomi Vollauschek, FL@33, flat33.com

Stereohype will offer winners the following prizes within each category ('single badge designs' and 'sets of three');

1st prize

(applies to both categories: 'single badge' and 'set of three')

*** your personal mini profile/bio (with URL to your website) on stereohype.com with short descriptive text about your artwork(s)

*** a total of ten free 1" badges per person for single entries

OR a total of fifteen for 'sets of three'

(for example: five 'sets of three' or fifteen individual designs)

with either your own design(s) or your selection of badges by other designers

*** one free T-shirt of your choice (subject to availability)

*** one free Stereohype 'Squirrel' OR 'Orange Squirrel' T-shirt (subject to availability)

*** one free Stereohype '300%' T-shirt (subject to availability)

*** 20% off all orders over £20 placed until 31 December 2009!

2nd prize

(applies to both categories: 'single badge' and 'set of three')

*** your personal mini profile/bio (with URL to your website) on stereohype.com with short descriptive text about your artwork(s)

*** a total of ten free 1" badges per person for single entries

OR a total of fifteen for 'sets of three'

(for example: five 'sets of three' or fifteen individual designs)

with either your own design(s) or your selection of badges by other designers

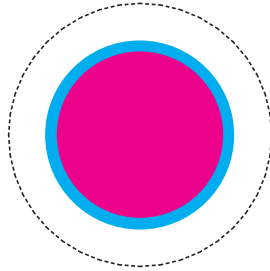
*** one free Stereohype 'Squirrel' OR 'Orange Squirrel' T-shirt (subject to availability)

*** one free Stereohype '300%' T-shirt (subject to availability)

*** 20% off all orders over £20 placed until 31 December 2009!

Stereohype

graphic art and fashion boutique
www.stereohype.com



3rd prize

(applies to both categories: 'single badge' and 'set of three')

*** your personal mini profile/bio (with URL to your website) on stereohype.com with short descriptive text about your artwork(s)

*** a total of ten free 1" badges per person for single entries

OR a total of fifteen for 'sets of three'

(for example: five 'sets of three' or fifteen individual designs)

with either your own design(s) or your selection of badges by other designers

*** one free Stereohype 'Squirrel' OR 'Orange Squirrel' T-shirt OR Stereohype '300%' T-shirt (subject to availability)

*** 20% off all orders over £20 placed until 31 December 2009!

4th prize

(applies to both categories: 'single badge' and 'set of three')

*** your personal mini profile/bio (with URL to your website) on stereohype.com with short descriptive text about your artwork(s)

*** a total of ten free 1" badges per person for single entries

OR a total of fifteen for 'sets of three'

(for example: five 'sets of three' or fifteen individual designs)

with either your own design(s) or your selection of badges by other designers

*** one free Stereohype 'Squirrel' OR 'Orange Squirrel' T-shirt (subject to availability)

*** 20% off all orders over £20 placed until 31 December 2009!

Special Stereohype Prize

(applies to both categories: 'single badge' and 'set of three')

*** your personal mini profile/bio (with URL to your website) on stereohype.com with short descriptive text about your artwork(s)

*** a total of ten free 1" badges per person for single entries

OR a total of fifteen for 'sets of three'

(for example: five 'sets of three' or fifteen individual designs)

with either your own design(s) or your selection of badges by other designers

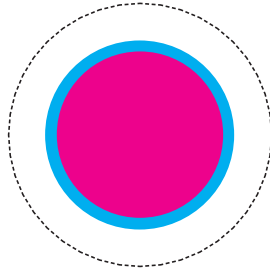
*** one free Stereohype '300%' T-shirt (subject to availability)

*** 20% off all orders over £20 placed until 31 December 2009!

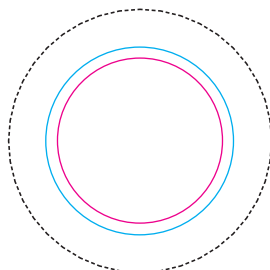
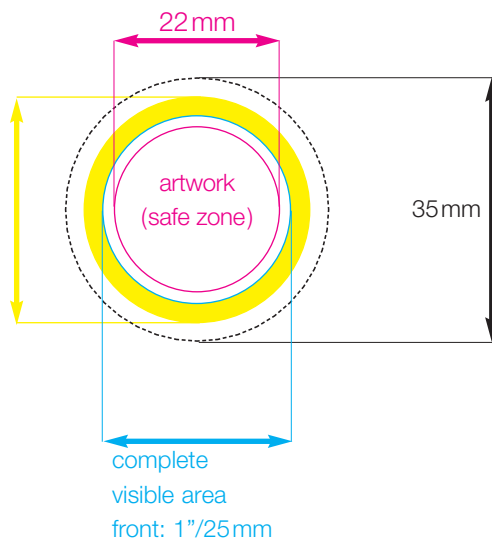
Please find the 1" artwork guide on the following page.

Stereohype

graphic art and fashion boutique
www.stereohype.com



4–6mm are visible along the edges and the back (you might want to keep this in mind for the bleed)



Artwork guide ///

The magenta circle (22mm) shows recommended image area. The cyan circle (25mm) the actual badge size you should work in. Coloured circles are there for guidance only and must NOT be included in your artwork. The black circle (35mm) is the cutting guide and MUST be shown on all artwork. Background colours should extend to cutting circle.

Please send your artwork(s) WITH a short bio AND artwork description (altogether approximately 250 words although it could be more if you want) via email to submit@stereohype.com

NEW File Specifications:

We now only accept PSD files!

all colour designs in CMYK
NameSurname_CMYK300dpi.psd
(HI-RES PSD, CMYK, 300dpi)
ONE FILE PER ARTWORK!

Please download template: stereohype.com/competition/YourNameSurname_12or3_300dpi.psd

OR

all black/greyscale designs in B/W or GREYSCALE
NameSurname_Greyscale900dpi.psd
(HI-RES PSD, Greyscale, 900dpi)
ONE FILE PER ARTWORK!

Please download template: stereohype.com/competition/YourNameSurname_12or3_900dpi.psd